

# DHI-VTO2202F-P-S3

## 2-wire IP Villa Door Station



### Technical Specification

#### System

Main Processor	Embedded Processor
Operating System	Embedded Linux Operation System
Button Type	Mechanical
Number of Buttons	1
Interoperability	ONVIF; CGI
Network Protocol	IPv4; RTSP; UDP; DNS; P2P; UPnP; RTP; TCP; SIP

#### Basic

Camera	1/2.9" 2 MP CMOS
Field of View	H: 168.6°, V: 87.1°, D: 176.7°
WDR	120 dB
Noise Reduction	3D NR
Video Compression	H.265; H.264
Video Resolution	Main stream: 720p; WVGA; D1; CIF Sub stream: 1080p; WVGA; D1; QVGA; CIF
Video Frame Rate	25 fps
Video Bit Rate	256 Kbps to 8 Mbps
Light Compensation	Auto IR
Day/Night	Auto(ICR)/Color/B/W; Color/B/W
Audio Compression	G.711a; G.711u; PCM
Audio Input	1 channel
Audio Output	Built-in speaker
Audio Mode	Two-way audio
Audio Enhancement	Echo suppression/digital noise reduction

- Anodized aluminum front panel.
- CMOS low illumination 2MP HD colorful 168.6° camera.
- Video intercom function.
- Provides 12 VDC, 600 mA power.
- Mobile phone app, talk to the visitor or unlock the door remotely on your phone.
- IK07 & IP65 rated (silicone sealant is required for the shell, see the quick start guide).
- Support surface and flush mount.
- Support H.265 and H.264.
- Standard PoE power supply (if the VTO device with 12 V power output needs to charge the load, it should be connected to a PSE switch that complies with the 802.3.at standard).



Audio Bit Rate	16 kHz, 16 bits
----------------	-----------------

#### Function

Communication Mode	Digital 2-wire
Unlock Mode	Remote
Leave Videos	Yes (SD card is inserted in the indoor monitor or door station)
Storage	Supports Micro SD card (up to 256 GB)
Web Configuration	Yes

#### Performance

Casing Material	Aluminum
-----------------	----------

#### Port

RS-485	1
Alarm Output	1
Power Output	1 port, 12 V/600 mA
Exit Button	1
Door Status Detection	1
Lock Control	1
Network Port	1 × RJ-45 port, 10/100 Mbps network port

#### Alarm

Tamper Alarm	Yes
--------------	-----

# 2-wire IP Villa Door Station | DHI-VTO2202F-P-S3

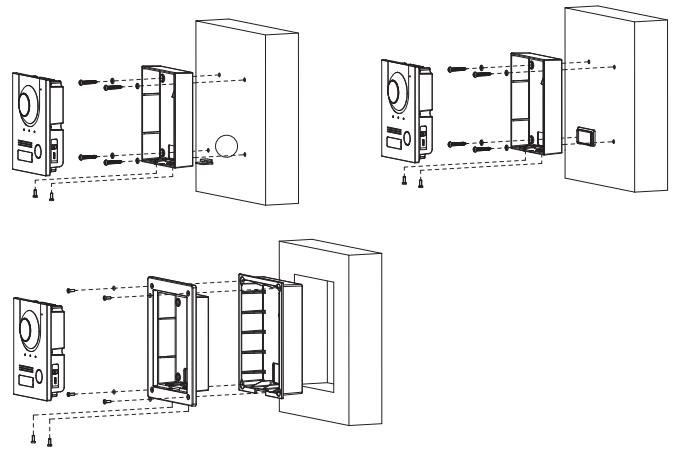
## General

Appearance Color	Silver
Power Supply	Dahua 2-wire switch (max. power supply distance is 50 m) 48 VDC, 1 A; PoE (802.3af/at)
Power Adapter	Optional
Installation	Flush Mount; Surface Mount
Certifications	CE
Accessory	Surface mount box (optional); flush mount box (optional); rain cover (optional)
Product Dimensions	130 mm × 96 mm × 28.5 mm (5.12" × 3.78" × 1.12")
Protection	IK07; IP65
Operating Temperature	-30°C to +60°C (-22°F to +140°F)
Operating Humidity	10%–90% (RH), non-condensing
Operating Environment	Outdoor
Operating Altitude	0 m–3000 m (0 ft–9842.52 ft)
Power Consumption	≤4 W (standby), ≤5 W (working)
Gross Weight	0.48 kg (1.06 lb)
Storage Temperature	0 °C to +40 °C (+32 °F to +104 °F)
Storage Humidity	30%–75% (RH), non-condensing

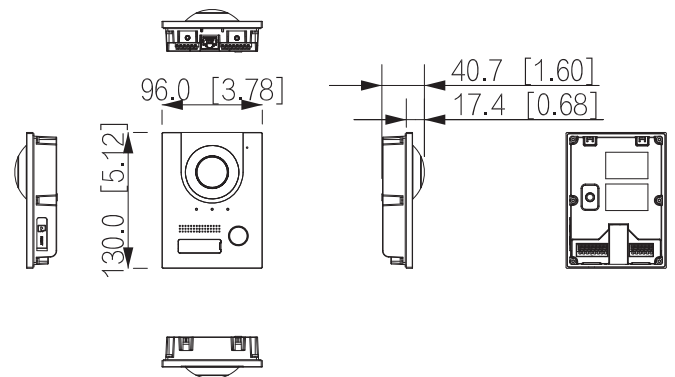
## Ordering Information

Type	Model	Description
2-wire IP Villa Door Station	DHI-VTO2202F-P-S3	2-wire IP Villa Door Station
Accessories	VTM114	Flush Mounted Box
	VTM115	Surface Mounted Box
	VTM05R	Surface-mounted rain cover for VTO2202F
Power Supply	DHI-VTNS2003B-2-A	2-wire Switch
	DHI-VTNS1001B-2-A	2-wire Switch

## Installation



## Dimensions (mm[inch])



## Application

