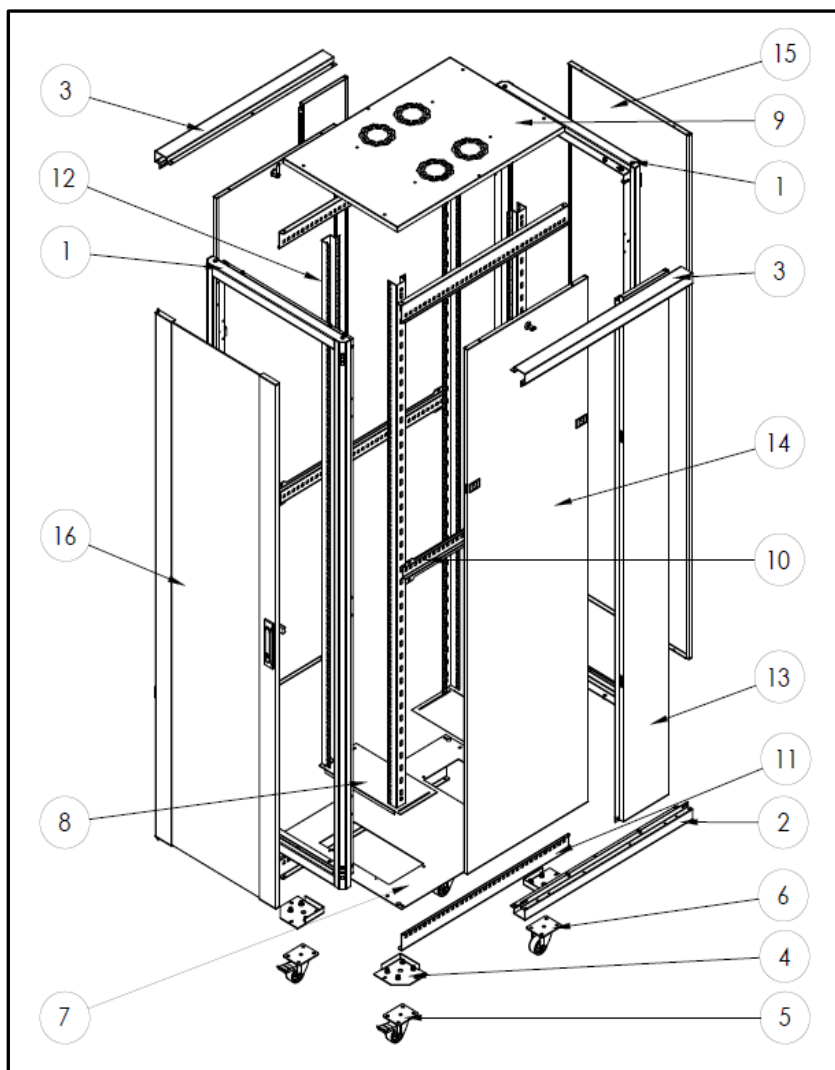


ELEGANT NET ASSEMBLY INSTRUCTION



Nr	Material Description	qty
1	Front and rear welded Frame	2
2	Bottom/Outer extension bar	2
3	Top/Outer extension bar	2
4	Castor Bracket	4
5	Wheel with break	2
6	Wheel fix	2
7	Bottom Plate	1
8	Bottom sliding cable entry cover	2
9	Top Case with Fan cutout	1
10	Middle Horizontal Bar	4
11	Z-Shape Horizontal Bar	4
12	19" Mounting Rail	4
13	Narrow side panel For Depth:800&1000mm Rack cabinets	2
14	Side Panel	2
15	Rear Door	1
16	Front Door	1

- 600x600mm Cabinets has only Nr:14 single side panel
- In 800 mm deep cabinets There are Horizontal Bar support parts (8 pieces)

FASTENING SCREWS

A		M5X12 CROSS RECESSED COUNTERSUNK HEAD SCREW
B		M5X15 CROSS RECESSED PAN HEAD SCREW
C		M6X15 CROSS RECESSED PAN HEAD SCREW
D		M8x15 SCREW, WASHER & NUT SET
E		M6X12 FLANGED AKC SCREW

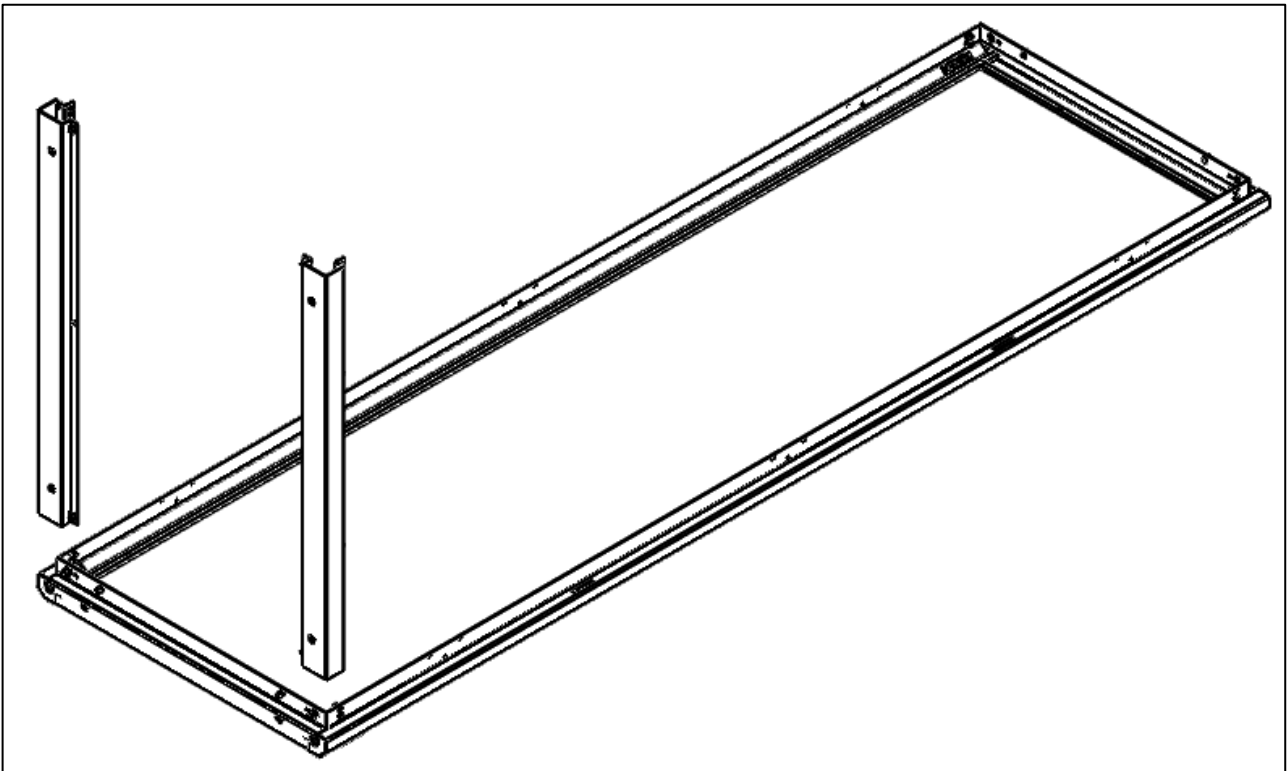


Figure 1

- (1) Place the rear frame on a flat-surface.
- (2) Place the bottom extension bars on the bottom out-corner 2pcs as shown on the **Figure 1**.

Tighten M5x15 YSB screws (B) as shown on the **Figure 2**

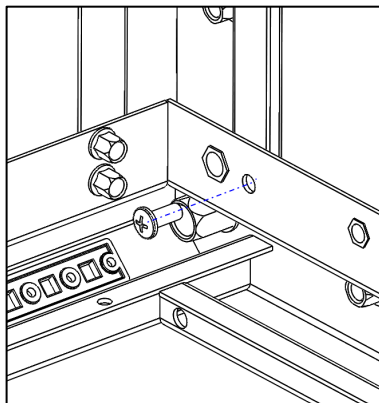
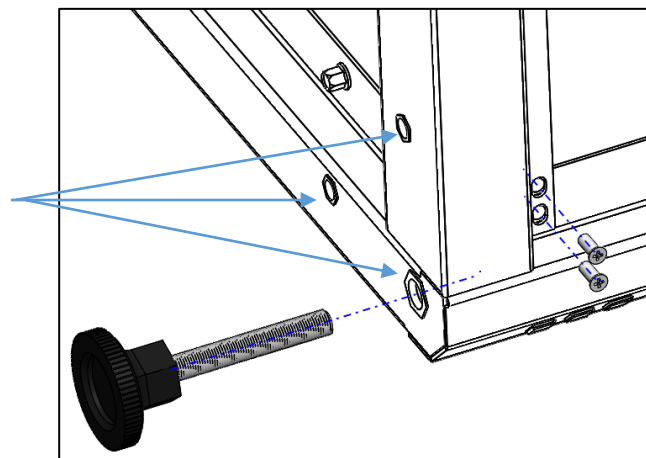


Figure 2

Ensure if it is right parts by checking the Rivet Nuts 3pcs on the each corner for bottom structure.

Tighten M10 Levelling feet as Shown on the Figure 3



Tighten M5x15 YHB Screws (A) 4 pcs Total on the bottom side corners as shown on the **Figure 3**

Figure 3

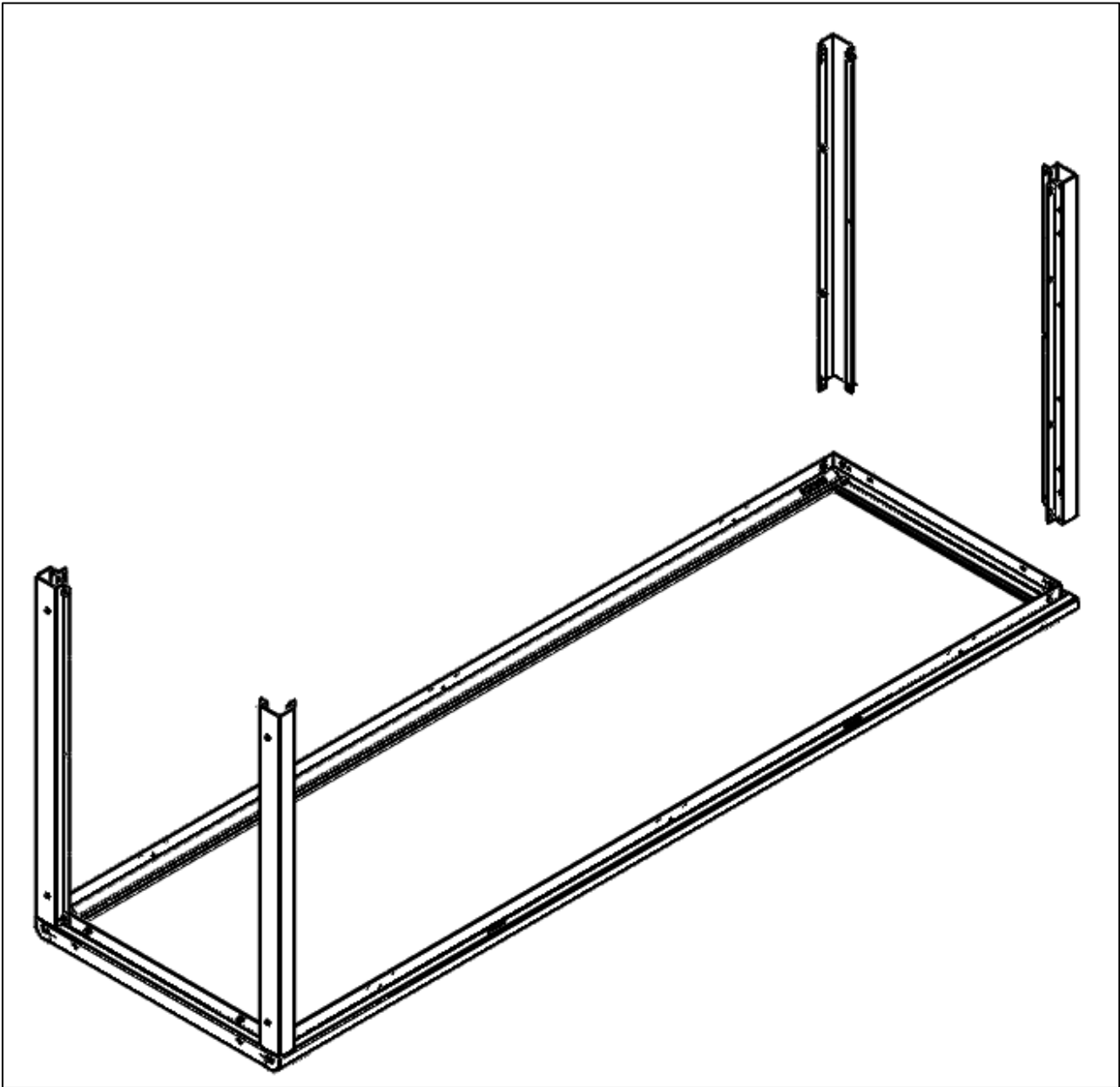


Figure 4

(3) Place the Top extension bars on the top out-corner 2pcs as shown on the **Figure 4**.

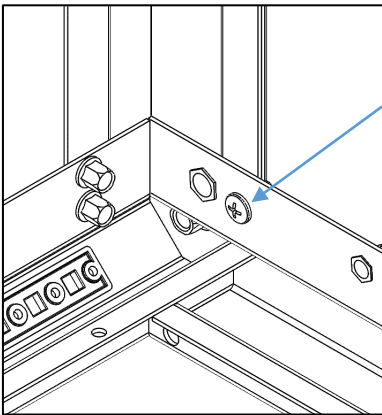


Figure 5

Tighten M5x15 YSB screws (B) as shown on the **Figure 5**

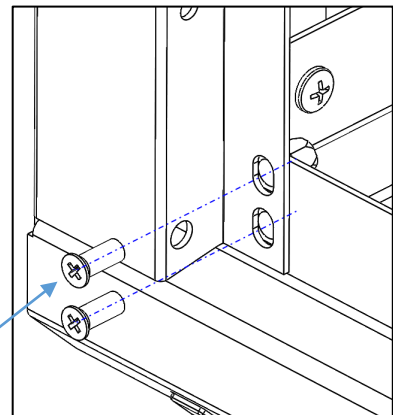


Figure 6

Tighten M5x15 YHB Screws (A)
4 pcs Total on the upper side
corners as shown on the **Figure 6**

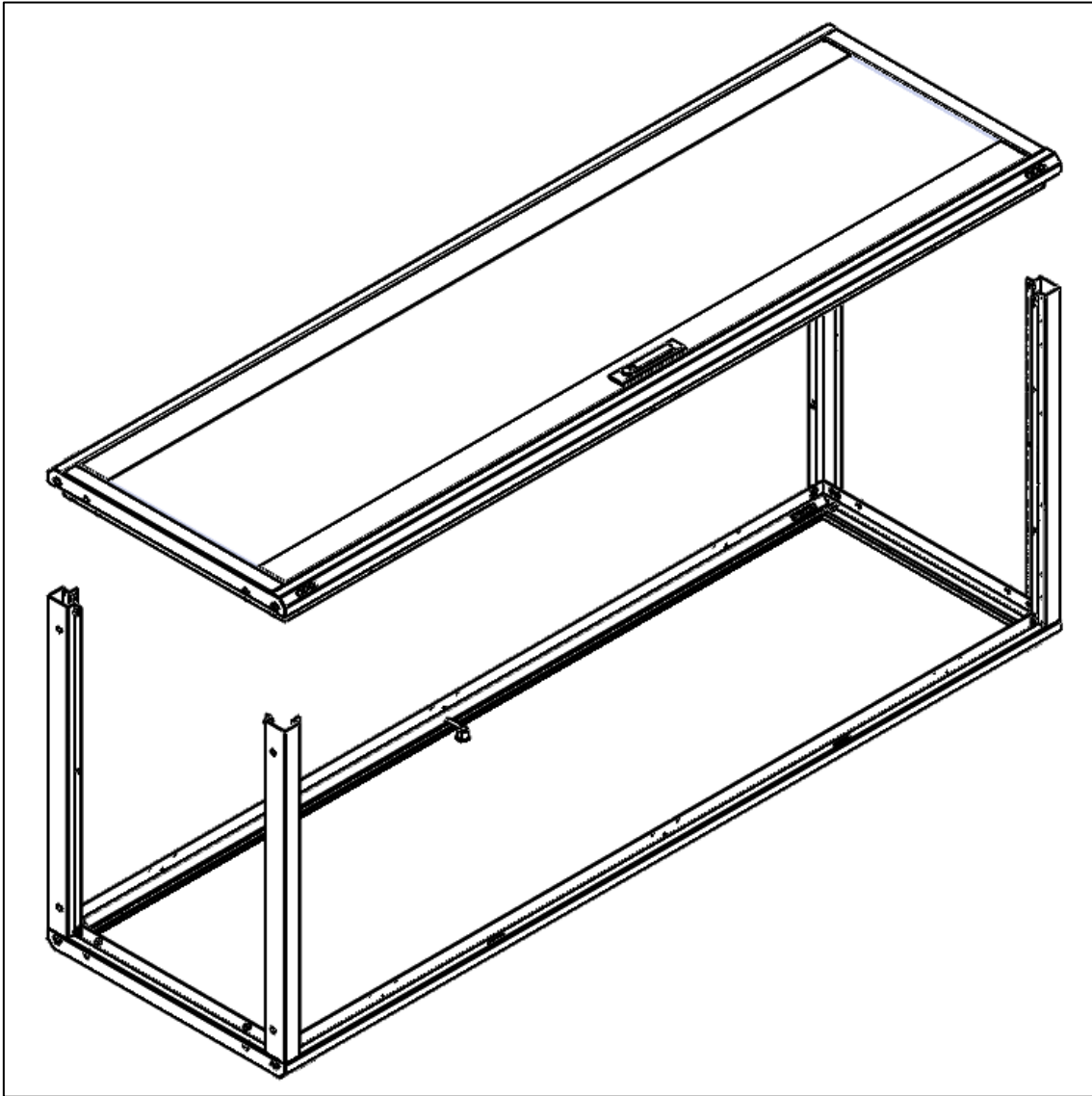


Figure7

(1) Place the Front welded frame as shown on the **Figure 7**

Ensure if it is right parts by checking the Rivet Nuts
3pcs on the each corner for bottom structure as shown
on the **Figure 8**

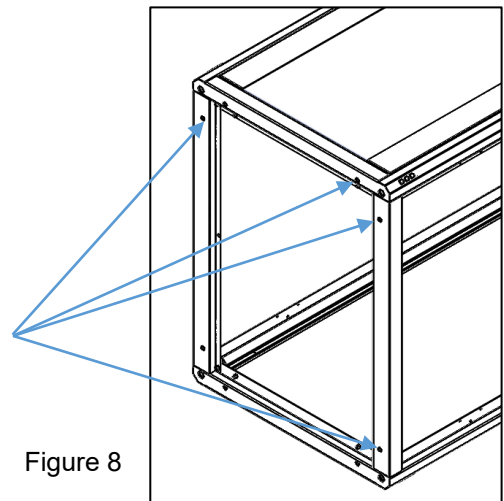


Figure 8

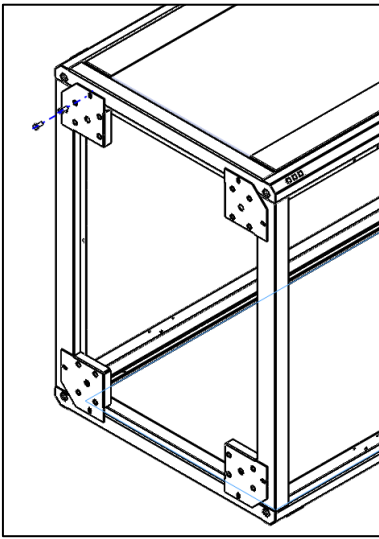


Figure 9

(4) Place the Wheel plate as shown on the **Figure 9** and Tighten M6x15 JMT Screws (C)

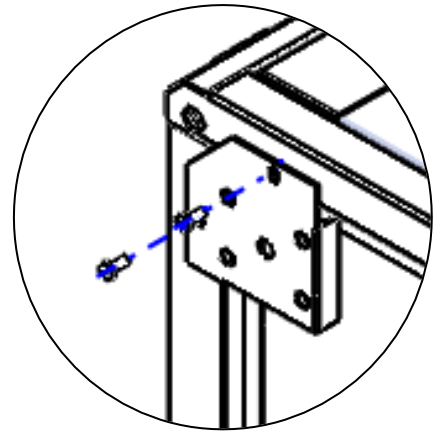


Figure 10

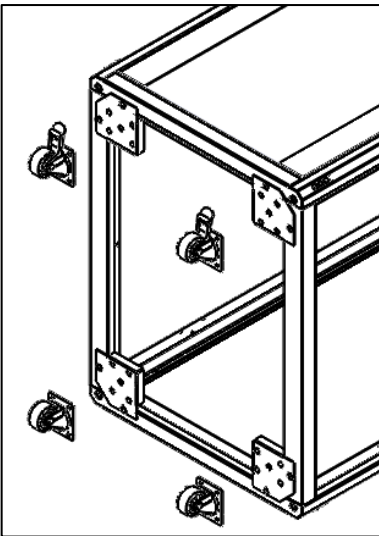


Figure 11

Place the Wheels on the bottom as Shown on the **Figure 11** and Tighten M6x15 JMT Screws (C)

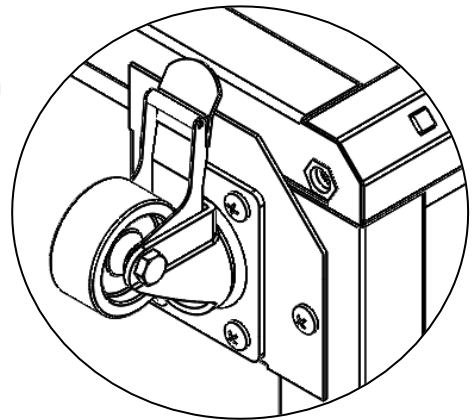


Figure 12

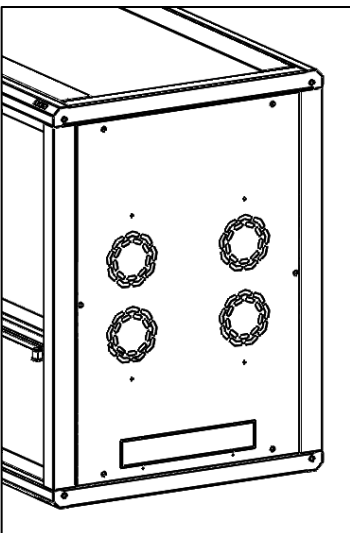


Figure 13

Place the Top Case with Fan cutout as shown on the **Figure 13** and Tighten M5x15 YSB Screws (B)

Place the Bottom case as shown on the **Figure 14** and Tighten M5x15 YSB Screws (B)

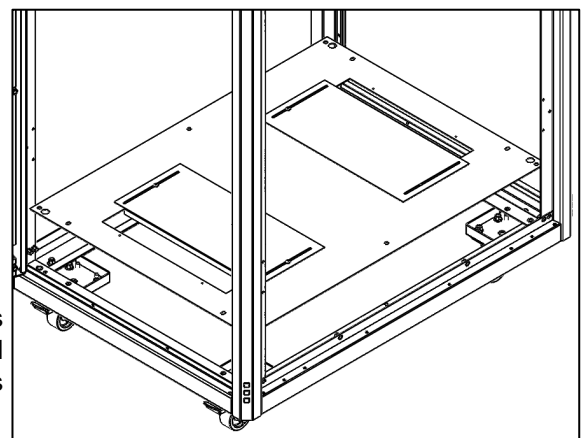


Figure 14

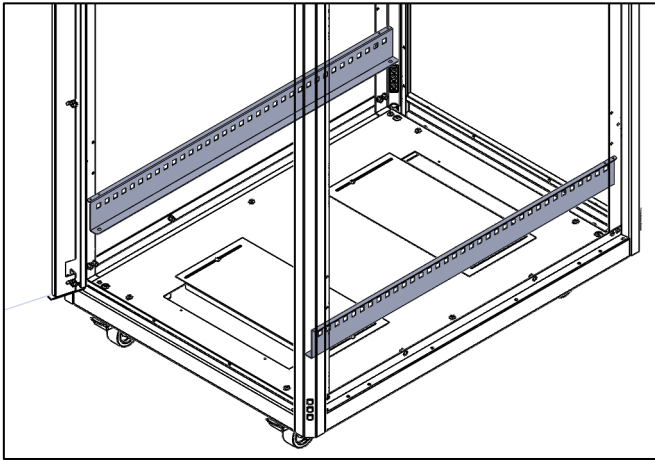


Figure 15

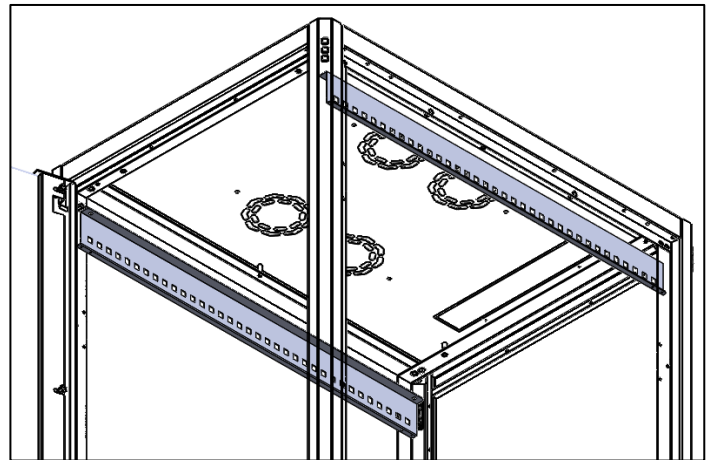


Figure 16

Place the Z-Shape Horizontal Bar as shown on the **Figure 15 & 16** and tighten with M6x15 JMT Screws

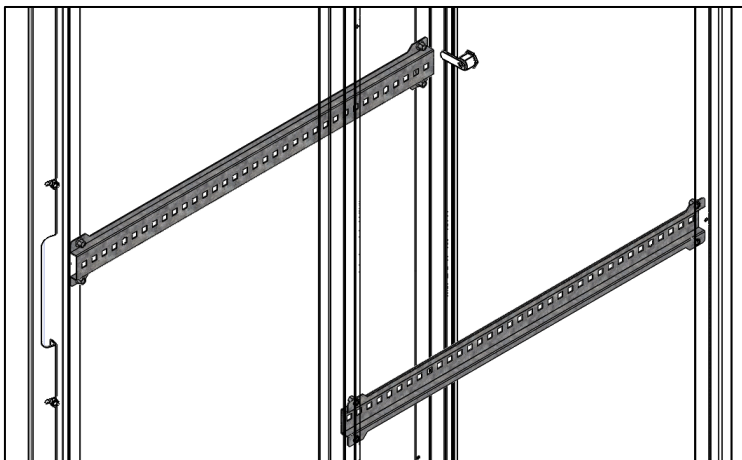


Figure 17

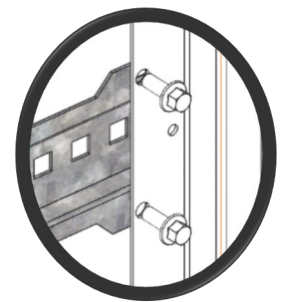


Figure 18

Place the middle horizontal bars as shown on the **Figure 17** and tighten with M6x12 Flanged AKC Screws (E)

19" Mounting rails and Horizontal Bar Connection for W600

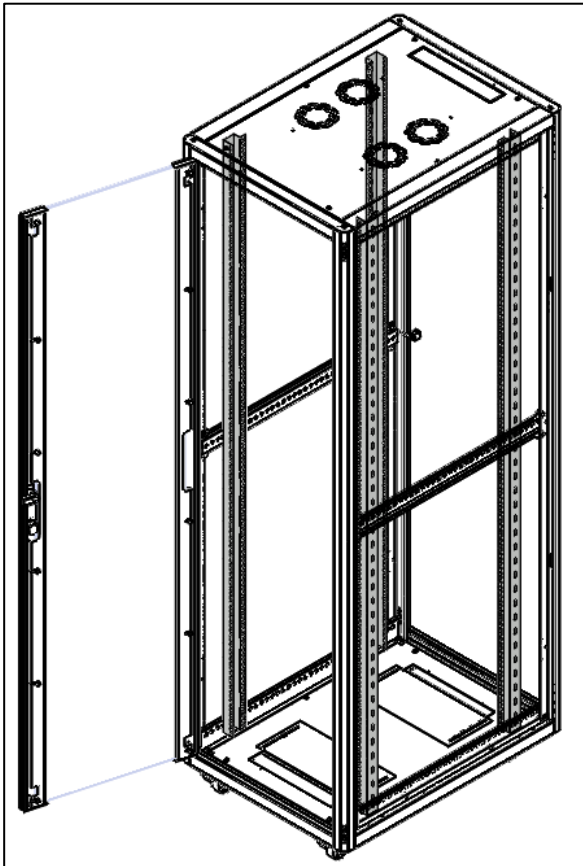


Figure 19-1

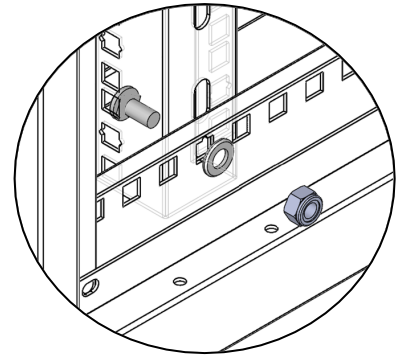


Figure 20-1

Place the 19" Mounting rails as shown on the **Figure 19-1** and tighten with M8x15 Screw, washer & Nut set (D)

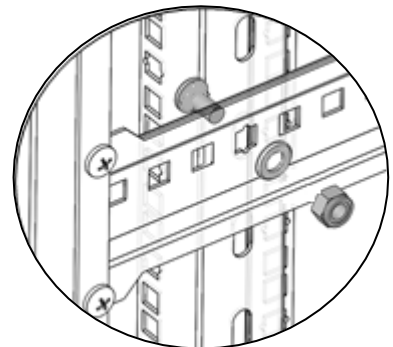


Figure 21-2

19" Mounting rails and Horizontal Bar Connection for W800

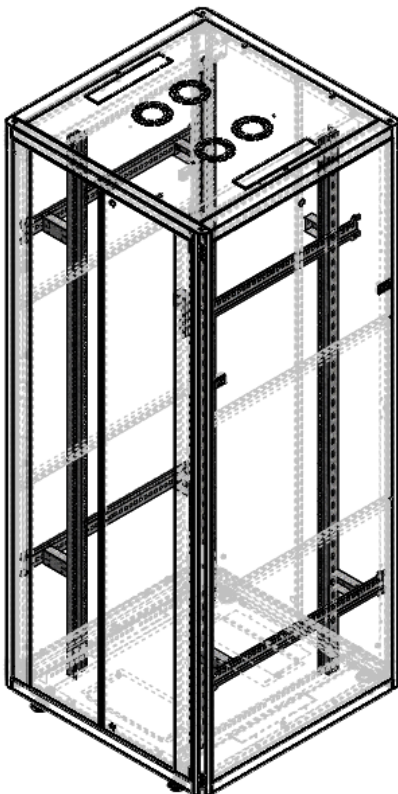
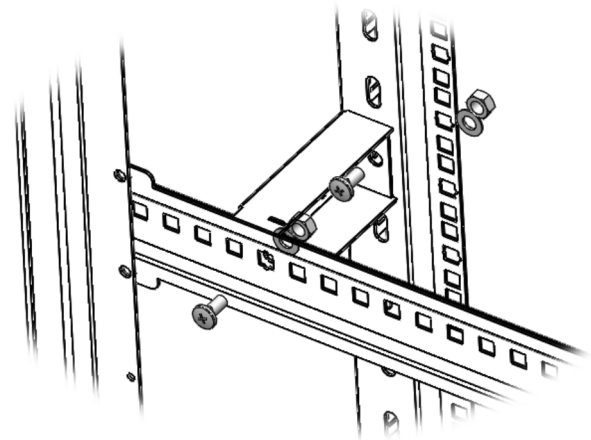


Figure 19-2



Place the 19" Mounting rails and Horizontal Bar as shown on the **Figure 19-2** and tighten with M8x15 Screw, washer & Nut set (D)

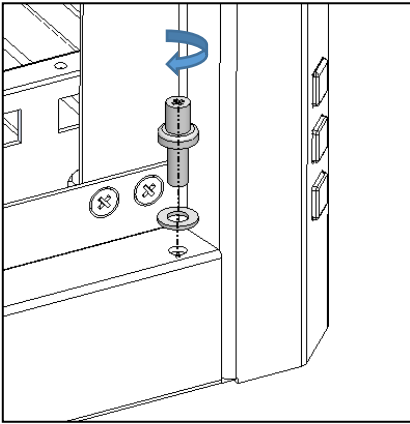


Figure 22

Fasten the screw type Pin on the bottom extension bar for rear narrow side panel installation (for Depth:800mm and 1000mm Rack cabinets) as shown on the figure 22.

Place the narrow side panel on the screw type Pin as shown on the figure 23

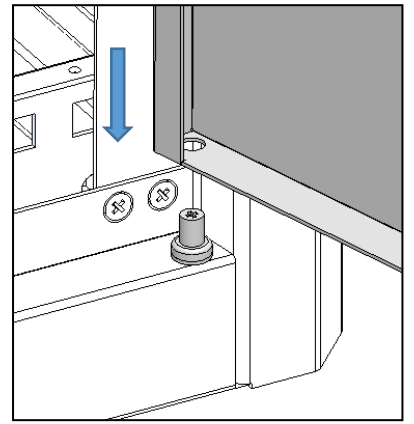


Figure 23

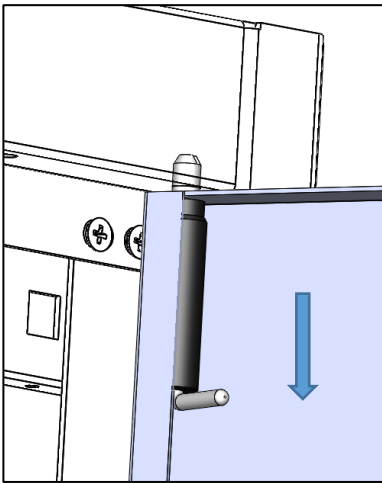


Figure 24

1st .Pull down the spring hinge
2nd .Place the narrow side panel between bottom and up case, as shown on the Figure 24

Use M5x12 YHB Screws (A) to fix up narrow side panel as shown on the Figure 25

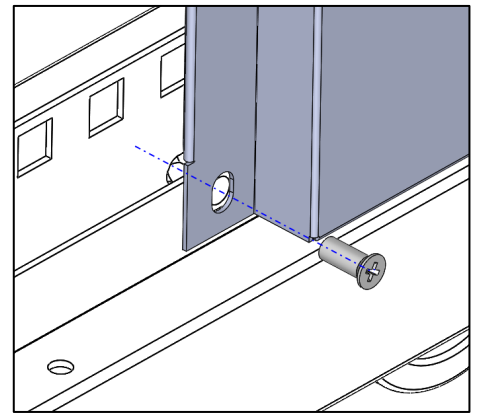


Figure 25

Make same operation for Front and rear door as shown on the Figure 22 – 23 – 24 .

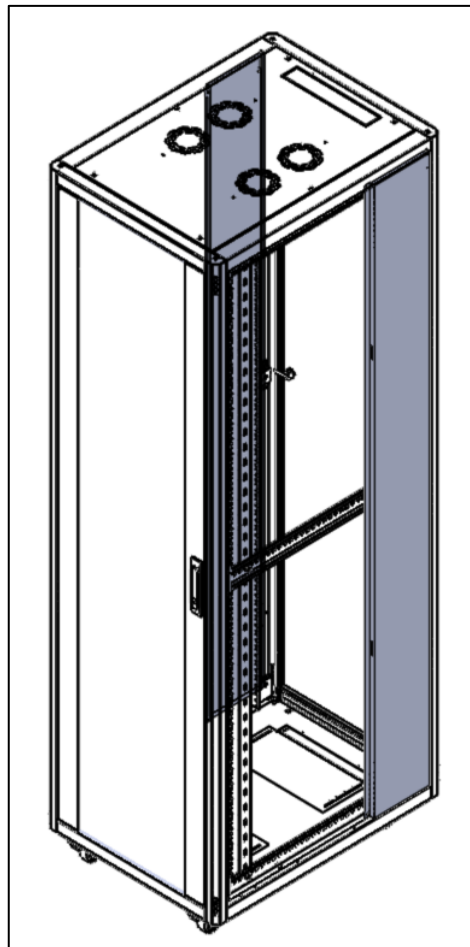
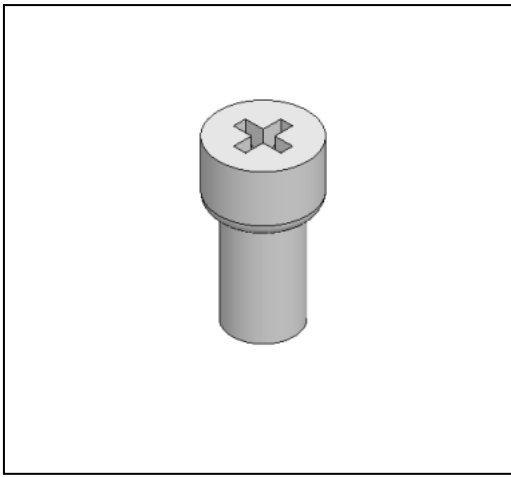


Figure 26



Side Door Screw

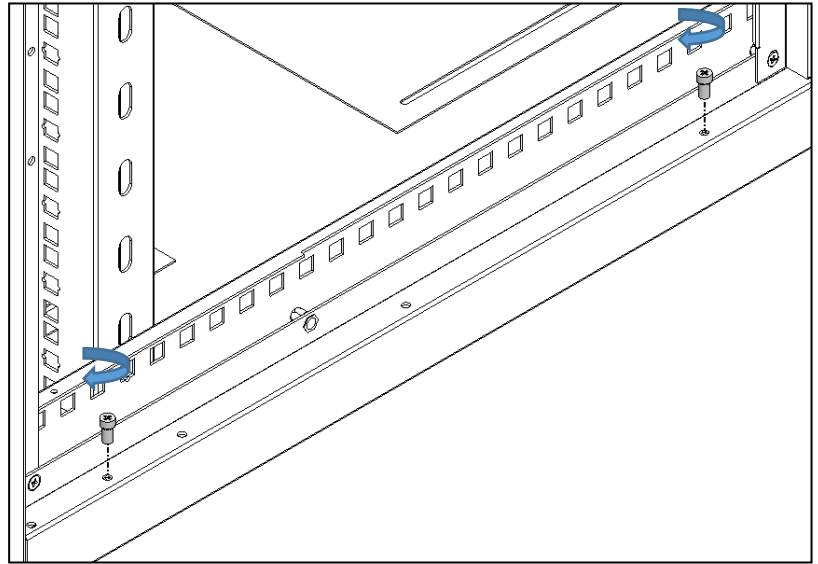


Figure 27

Fasten side door screw on the bottom extension bar for side panel installation.

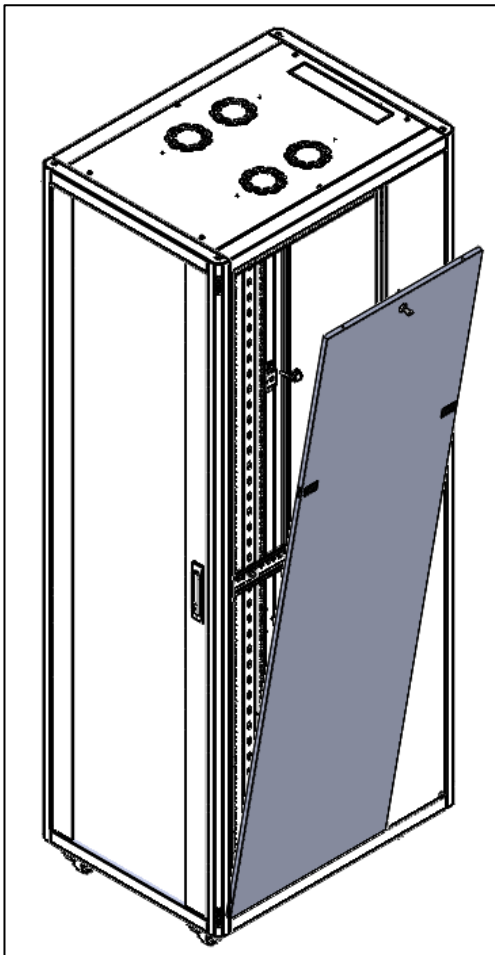


Figure 28

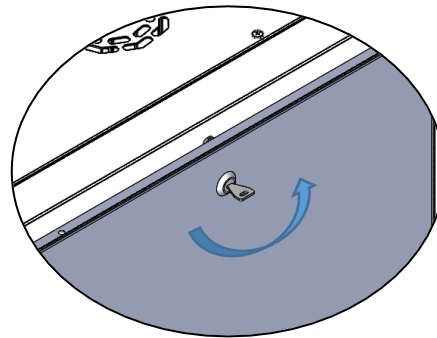


Figure 29

The side panels, Front door and rear door is ready to close and lock it as shown on the Figures below.

