



# ROOM CONTROL UNIT

20 INPUT 20 OUTPUT with IP Port

Model: RCU20R20Z-IP

Data Sheet Rev 3.1



## OVERVIEW

The RCU-20R-20Z-IP has 20 channel inputs and outputs; thus, it is capable of controlling almost everything in an automation project. This device is compatible with all the sensors, lights, FCU, curtains, shutters, and motors available on the market. This unit can control a large area, performing all functions while also monitoring and optimizing energy consumption.

This device is the best and the most budget-efficient solution for home and hotels. It can upgrade your room; connect normal wall switches to this solution and make them smart.

RCU lets you know how much energy is consumed per day, month, and year. It provides you with a concise consumption report to assist you in developing and implementing effective energy management policies.

## KEY BENEFITS

- + 20 Switching latching relays
- + 20 Digital inputs
- + IP Port for application server remote control
- + Timer and consumption calculation function
- + Works with TIS-BUS protocol
- + 2 Buttons for emergency switching ON/OFF control

## KEY FEATURES

- ★ Standard 35 mm Din-Rail mounted
- ★ Free voltage switching output
- ★ 10A current per channel
- ★ Reverse polarity protection
- ★ DIY programming



BARCODE (UPC-A)



# ROOM CONTROL UNIT

20 INPUT 20 OUTPUT with IP Port

Model: RCU20R20Z-IP



## PRODUCT SPECIFICATIONS

↑	<b>Output switching Voltage</b>	Number of channels	20
		Nominal voltage	0 – 230 V AC 50/60 Hz
		Max. switching Voltage	440VAC / 125VDC
↑	<b>Output switching current</b>	Nominal current per channel	10 A
		Maximum total channels load	200 A
		Max switching current	16 A resistive 8 A florescent
		Max continues current	10 A VAC
↑	<b>Output service life</b>	Mechanical service life	> 10,000,000 Times
↑	<b>Output switching times</b>	Operating time	15mS (at nomi. Volt)
		Releasing time	8 mS (at nomi. Volt)
		Max. operating frequency	20 cycle/min
↓	<b>Input</b>	Number of channels	20
		Input Type	Digital input. Open / Close
		Length of connected wire	< 350 meter
TISBUS	<b>TIS Bus</b>	Number of devices on 1 line	Max. 64
		Bus voltage	12-32 V DC
		Current consumption (Normal)	<30 mA / 24 V DC
		Current consumption (Peak)	<40 mA / 24 V DC
		Protection	Reverse polarity protection
🕒	<b>Reaction time</b>		approx. 20ms
🔧	<b>Operating and display elements</b>	Programming button/LED	For assignment of the physical address
		2 buttons	Emergency programmable on/off buttons
		By TIS bus	TIS protocol messages and commands
		Programming	By software.
		Upgrading	By software
🔧	<b>Mounting</b>	Din Rail	Standard 35 mm Din rail
		Wall mount	screw holder on the back of the module
🔧	<b>Connection terminal</b>	Load and power	Screw terminal 0,25...4mm2
		Data / bus	Male/female connectors Link + screw Terminal
⚙️	<b>Functions</b>	Lighting control ON/OFF/ Dimming	20 channels controlled separately
		Curtain control	Can set 10 groups of curtains (open/close) option
		Fan speed control	Can set 6 groups of Fan (low, med, high) option
		Scenes	12 different scenarios
		20 digital inputs	Programmable inputs to connect to normal wall switches and sensors



Copyright © 2019 TIS, All Rights Reserved

TIS Logo is a Registered Trademark of Texas Intelligent System LLC in the United States of America. This company takes TIS Control Ltd. in other countries. All of the Specifications are subject to change without notice.

TEXAS INTELLIGENT SYSTEM LLC

SUITE# 610. 860 NORTH DOROTHY DR  
RICHARDSON  
TX 75081.USA

TIS CONTROL LIMITED

RM 1502-p9 Easey CommBldg  
253-261 Hennessy Rd Wanchai  
Hong Kong

# ROOM CONTROL UNIT

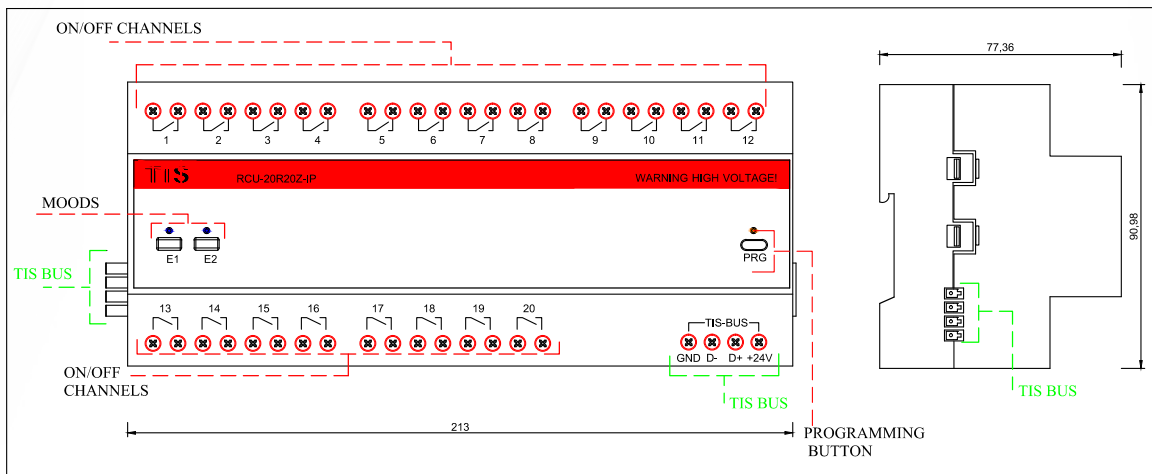
20 INPUT 20 OUTPUT with IP Port

Model: RCU20R20Z-IP



## PRODUCT SPECIFICATIONS

	<b>Weight</b>	Without packaging	0.80 KG
	<b>Dimensions</b>	Width x length x height	91mm x 215mm x 75mm
	<b>Housing</b>	Materials Casing color Button color IP rating	ABS Fire proof Black Gray Silver IP 20
	<b>Temperature range</b>	Operation Storage Transport	0...60°C -20...50°C -25...75°C
	<b>Air humidity</b>		<85% non-condensing



Copyright © 2019 TIS, All Rights Reserved  
 TIS Logo is a Registered Trademark of Texas Intelligent System LLC in the United States of America. This company takes TIS Control Ltd. in other countries. All of the Specifications are subject to change without notice.

TEXAS INTELLIGENT SYSTEM LLC  
 SUITE# 610, 860 NORTH DOROTHY DR  
 RICHARDSON  
 TX 75081.USA

TIS CONTROL LIMITED  
 RM 1502-p9 Easey CommBldg  
 253-261 Hennessy Rd Wanchai  
 Hong Kong