

TFS-3192R/W

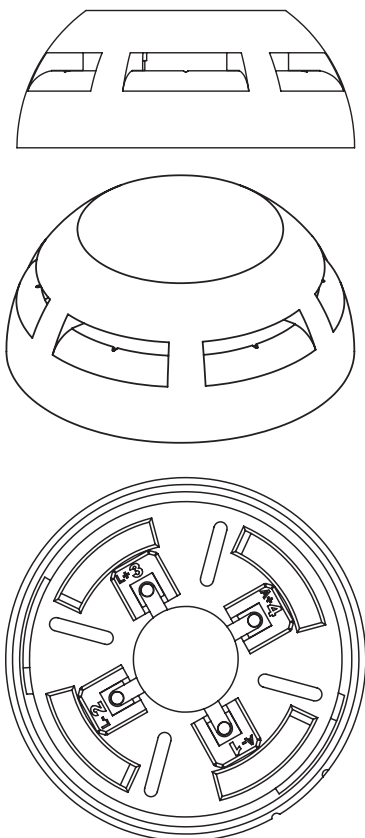
Conventional Fire Alarm Sounder with Flasher



Teknim TFS-3192 internal fire alarm sounder and flasher have aesthetic design and low power consumption and are suitable for use with any brand of fire detection systems.

GENERAL FEATURES

- EN 54-3 and EN 54-23 Certified
- Suitable for flush and surface mounting
- 100dB high sound level
- IP21C protection class
- Red/White, transparent UL94 non-flammable poly carbonate plastic frame



Technical Specifications	TFS-3192W/R
Standard	EN-54/3 EN-54/23
Operating Type	Sound + Flasher
Sound Level	100dB±2 dB, (24VDC at 1 mt)
Coverage	W-2,4-4
Flasher	1 sec ON / 1 sec OFF
LED	RED/WHITE
LED Specifications	Wide angle 7x Bright LED
Sounder	Piezzo Element with leak-proof sealant
Power	24-28 VDC
Alarm Consumption	19mA.
Dimensions (mm)	Ø110, h:55 mm
Body Material	ABS Plastic
Operating Temperature	-20°C ~ 55°C
Humidity	95% RH
Protection Class	IP21C