

**TFS-1183R / TFS-1183W**  
**Intelligent Addressable Flasher With Built-in**  
**Isolator**  
**Installation Manual**



Release Date: 05/01/2021  
 Rev:01

**Warnings**

**General**

- ✓ Read this manual carefully before operating the device and retain it for future reference
- ✓ Pay attention to all warnings and precautions described in the manual.
- ✓ Keep devices away from water and moisture utunuz.

**Service**

Do not attempt to repair the device by yourself, you may be exposed to electric shock if you open the device cover.

In the event of any malfunction, contact your dealer or authorized service. Technical intervention to the device must be performed by qualified service personnel.

**Attention: Do not attempt to remove the card from its plastic housing. Completely closed for your safety. Users must avoid Intervention.**

**Fault Conditions Requiring Service**

In the event of any malfunction or in the following cases, contact your authorized service or dealer.

- ✓ When the power cord or plug is damaged,
  - ✓ When any liquid flows into the device or the object falls,
  - ✓ When exposed to water and rain,
  - ✓ If the device has been dropped or the housing has been damaged
  - ✓ If the device has noticeable performance changes,
  - ✓ If the device does not operate normally according to the operating instructions specified
- Call for service as incorrect operations can cause other malfunctions.

**Maintenance on your own**

Do not try to fix the device on your own. Removal of cover may end up with electricity shock. In case of any defect or malfunction, contact with your dealer or with authorized service. All the technical interventions have to be done by technicians of company. Device must be cleaned up with a dry fabric. No-chemicals are allowed for cleaning.

**Transportation**

Device must be carefully transported avoiding all physical bump, stroke and possible fluid entry. Malfunctions that caused by improper transportation is not under warranty.

**Human and Environmental Health**

This device contains no chemical or biological elements that could harm human condition.

**Sub Models**

TFS-1183R	Intelligent Addressable Flasher With Built-in Isolator, RED
TFS-1183W	Intelligent Addressable Flasher With Built-in Isolator, WHITE

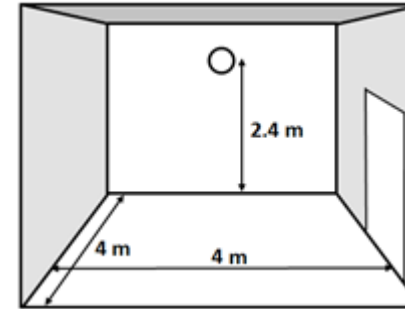
**Technical Features**

Power	15VDC – 32VDC (Nom.27VDC)	
Current Consumption	~90 µA ( @27VDC )	
Alarm Consumption	~Min.=4.31mA, Nom.=6.49 mA, Max.= 6.54mA. (27VDC )	
Coverage	W-2,4-4	
LEDs	Wide Range 7 Bright LED RED	Wide Range 7 Bright LED WHITE
Heart Led	White 20s period	Red 20s period
Protection Class	IP21C	
Operating Temperature Range	-10°C ~ 55°C	
Flasher Mode	3 (Slow, Normal, Fast)	
Humidity	Between %0 - %95 at +40°C	
Dimintions (mm)	Ø:110mm, h:55mm (Include Base Bracket)	
Body Material	Red, UL94 Polycarbonite	White, UL94 Polycarbonite
Cable Selection	0.8mm <sup>2</sup> ~ 1.5mm <sup>2</sup>	
Weight (W – WO Base)	207.7Gr.	
Usage	Internal Usage / Siren Type : Type A	

**Terminals**

1 -	Loop (-) IN
2 -	Loop (-) OUT
3 -	
4 -	Loop (+) IN, OUT

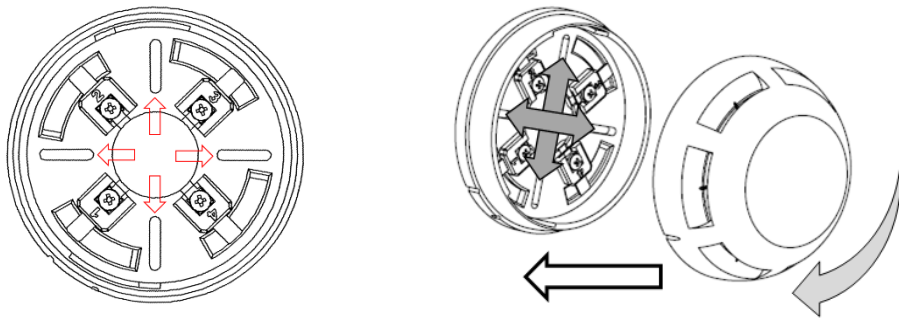
**EN 54-23 Visual Alarm Devices**



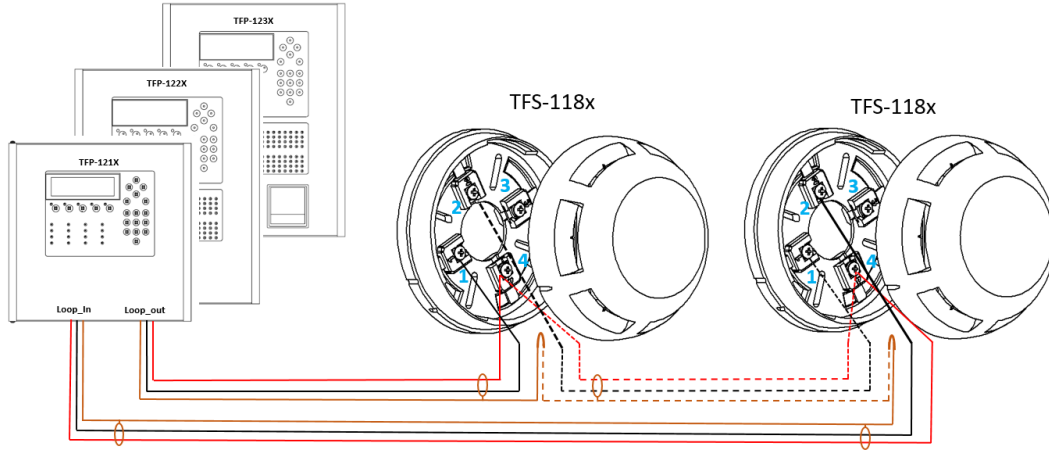
**Warning: The product only works with Teknim TFP-121x, Intelligent Addressable Fire Alarm panels.**

**Mounting and Connection**

1. Remove the head of the flasher from the base.
2. Mount the base part on the wall, using 2 of the 4 markings marked on the base.



3. Connect the cable according to the following diagram.



### Supported Flasher Modes and Descriptions

Strobe Mode	Strobe Type	Strobe Description
MODE 1	Slow Mode 0.5 Hz pwm signal on delay 200 ms off delay 1500 ms	
MODE 2	Normal Mode 1 Hz pwm signal on delay 200 ms off delay 800 ms	
MODE 3	Fast Mode 2 Hz pwm signal on delay 100 ms off delay 400 ms	

4. Replace the flasher. Make sure that the line on the head meets the long line on the base.

5. Turn the flasher clockwise to the base, making sure that the terminals are tight.

### Test

1. TFS-1183 siren tests can be done in the menu of TFP-12XX Addressable Fire Alarm panels.
2. Check if flasher error occurs when panel is operated.
3. If flasher error, make sure the connections are made correctly.
4. If no flasher error, move the panel to the test position from the menus.
5. Run the flasher test. Observe the flasher side / flash status during the test period.
6. If the devices continuous warning lights are flashing during the test, the test is completed.

### Manufacture

**Bilgi Elektronik San. ve Tic. A.Ş.**

Dudullu Organize Sanayi Bölgesi 1. Cadde İsmet Tarman İş Merkezi  
No:1 Kat:2 No:32 Ümraniye / İstanbul / Türkiye

Telephone: +90 216 455 88 46 Fax: +90 216 455 99 06

[www.bilgielektronik.com.tr](http://www.bilgielektronik.com.tr)

[sales@bilgielektronik.com.tr](mailto:sales@bilgielektronik.com.tr)

[destek@bilgielektronik.com.tr](mailto:destek@bilgielektronik.com.tr)



\* 2012/19/EU (WEEE directive): Products marked with this symbol cannot be disposed of as unsorted municipal waste in the European Union. For proper recycling, return this product to your local supplier upon the purchase of equivalent new equipment, or dispose of it at designated collection points. For more information see: [www.recyclethis.info](http://www.recyclethis.info).