

2/4/5 Megapixel H.265 Vandal-proof Mini Dome Network Camera



IK10
IP67

MS-C2973-PB/MS-C4473-PB/
MS-C5373-PB

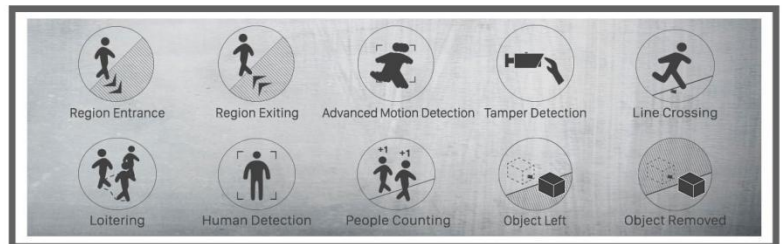
DATASHEET

KEY FEATURES

- ▶ **Smart Stream** (Bandwidth, storage and bit rate save with Smart Stream ON, eg. H.265+ save 70%~80% bandwidth of H.264.)
- ▶ **Advanced Functions** (Boasting to support various advanced functions such as HLC, Defog, ROI.)
- ▶ **Built-in Microphone** (Supporting audio function to hear what is happening in front of the camera.)
- ▶ **IP67-Rated Weather-proof** (IP-67 rated weather-proof housing protects the camera against humidity and dust.)
- ▶ **SIP** (Session Initiation Protocol. Providing audio/alarm/intercom and video streaming for mobile phones and video phones.)
- ▶ **128G** (Supporting ultra-large external microSD/SDHC/SDXC card storage up to 128G.)

Video Content Analysis

Milesight VCA with 10 detection modes provides advanced, accurate smart video analysis for Milesight network cameras, enabling the comprehensive surveillance function and quicker response to different monitoring scenes.



0.002Lux Ultra Low-light

The starlight camera is able to deliver high detailed color images even in low light environment reaching 0.002Lux(Color) or 0Lux(B/W), and near infrared light environments without any supplementary lighting.

140dB Super WDR

Milesight's sensor-based WDR technology allows the camera to record greater scene details with true color reproduction even under the extreme back light and high contrast conditions. The ratio that the brightest light signal values divided by the darkest light signal values is up to 140dB.



Reliable Anti-vibration Performance

Complying with the transportation-industry regulations of EN50155 standard, Milesight Vandal-proof Mini Dome Network Camera is able to offer train specific rugged features to protect the system against environmental factors.

H.265 Vandal-proof Mini Dome Network Camera

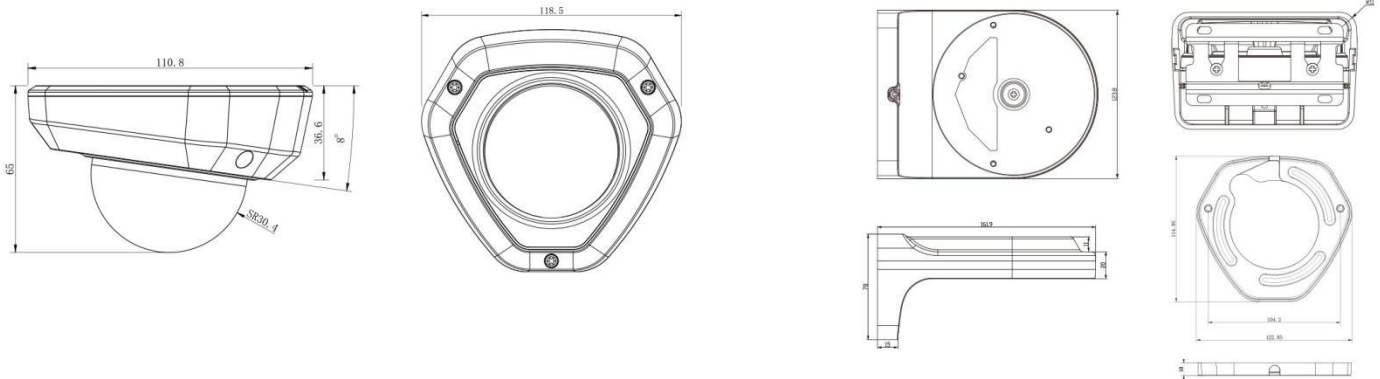
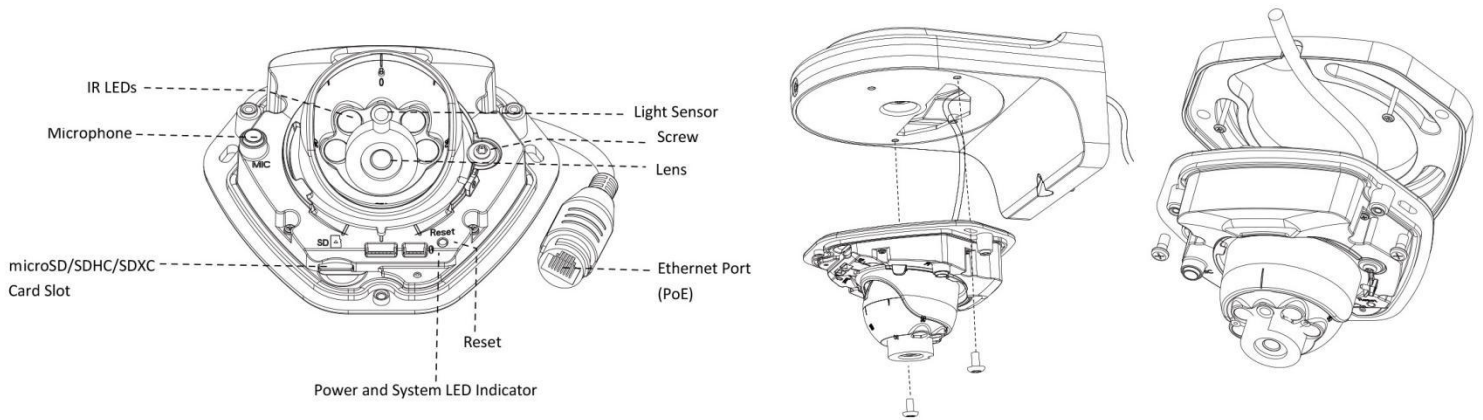


	Model	MS-C2973-PB (2MP)	MS-C4473-PB (4MP)	MS-C5373-PB (5MP)	
Camera	Image Sensor	1/2.8" Progressive Scan CMOS	1/3" Progressive Scan CMOS	1/2.8" Progressive Scan CMOS	
	Min. Illumination	Color: 0.002Lux@F1.2 B/W: 0Lux with IR on	Color: 0.008Lux@F1.2 B/W: 0Lux with IR on	Color: 0.005Lux@F1.2 B/W: 0Lux with IR on	
	WDR	140dB Super WDR	120dB Super WDR		
	Lens	2.8mm @F2.0 / 3.2mm @F2.2 / 3.6mm @F2.2			
	Mount	M12			
	Field of View	H123°/D142°/V68°(2.8mm) H105°/D123°/V58°(3.2mm) H94°/D111°/V50°(3.6mm)	H113°/D132°/V65°(2.8mm) H97°/D114°/V56°(3.2mm) H87°/D103°/V50°(3.6mm)	H111°/D141°/V82°(2.8mm) H96°/D123°/V71°(3.2mm) H80°/D102°/V59°(3.6mm)	
	Shutter Time	1/100000s~1s			
	IR Distance	Up to 25m			
	Day&Night	ICR Filter Auto Switch			
Video	Max. Image Resolution	1920x1080	2592x1520	2592x1944	
	Primary Stream	30fps@(1920x1080, 1280x960, 1280x720, 704x576)	20fps@(2592x1520), 30fps@(2304x1296, 1920x1080, 1280x960, 1280x720, 704x576)	20fps@(2592x1944), 30fps@(1920x1080, 1280x960, 1280x720, 704x576)	
	Secondary Stream	30fps@(704x576, 640x480, 640x360, 352x288, 320x240, 320x192, 320x176)			
	Tertiary Stream	30fps@(1920x1080, 1280x720, 704x576, 640x480, 640x360, 320x240, 320x192, 320x176)			
	Video Compression	H.265+/H.265(HEVC)/H.264+/H.264/MJPEG			
	Video Bit Rate	16Kbps~16Mbps(CBR/VBR Adjustable)			
	Image Setting	Brightness/Contrast/Saturation/Sharpness			
Network	Ethernet	1*RJ45 10M/100M Ethernet Port			
	Network Storage	NAS(Support NFS, SMB/CIFS)			
	Protocol	IPv4/IPv6, TCP, UDP, RTP, RTSP, RTCP, HTTP, HTTPS, DNS, DDNS, DHCP, FTP, NTP, SMTP, SNMP, UPnP, SIP, PPPoE, VLAN, 802.1x, QoS, IGMP, ICMP, SSL			
Audio	Audio Compression	G.711/AAC			
	Audio I/O	Built-in Microphone; 1/1 (Multi-interface Version)			
System	Alarm I/O	1/1 (Multi-interface Version)			
	Storage	Support microSD/SDHC/SDXC Card Local Storage, up to 128G			
	Advanced Function	Privacy Masking, Backlight Compensation, HLC, 2D DNR, 3D DNR, ROI, Anti-fog, White Balance, EIS, IP Address Filtering			
	SIP/VoIP Support	Yes, Voice & Video-over-IP			
	Event Trigger	Motion Detection, Network Disconnection, Audio Alarm, etc.			
	Event Action	FTP Upload, SMTP Upload, SD Card Record, SIP Phone, HTTP Notification, etc.			
	Video Analysis (Optional)	Region Entrance, Region Exiting, Advanced Motion Detection, Tamper Detection, Line Crossing, Loitering, Human Detection, People Counting, Object Left, Object Removed			
	System Compatibility	ONVIF Profile S & G			
General	Working Temperature	-40°C~60°C			
	Working Humidity	0~90%(Non-condensing)			
	Power Supply	PoE (802.3af); PoE (802.3af) / DC 12V ± 10% (Multi-interface Version)			
	Power Consumption	2.5W MAX 5W MAX (With IR on)	2.5W MAX 5.5W MAX (With IR on)		
	Weather Proof	Up to IP67-rated for Weather-resistant Performance			
	Housing	Vandal-proof IK10-rated Metal Housing			
	EN50155	Support			
	Weight	500g			
	Dimensions	118.5mmX110.8mmX65mm			
Warranty	3/5 Years				

H.265 Vandal-proof Mini Dome Network Camera



Structure Diagrams



Units: mm

Accessories Support

A01 Pole Mount

Weight: 720g
Dimensions: 170*51.5*152.6mm



A02 Internal Corner Bracket

Weight: 540g
Dimensions: 170*23.2*205.3mm



A03 External Corner Bracket

Weight: 900g
Dimensions: 170*152.6*76.3mm



A71 Wall Mount

Weight: 531g
Dimensions: 162*124*78 mm



A73 Adapter Plate

Weight: 28g
Dimension: 115*122.5*10mm

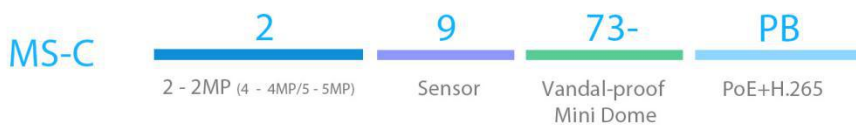


A74 Junction Box

Weight: 60g
Dimensions: 121.5*116.5*37.2



Naming Convention



Milesight Technology Co.,Ltd. | www.milesight.com

Contact Us: sales@milesight.com | support@milesight.com

Add: 220 NE 51st Street, Oakland Park, Florida 33334, USA
Tel: +1-800-561-0485

Add: 925, Anyang SK V1 Center, LS -ro 116beon-gil, Dongan-gu, Anyang-si, Korea
Tel: +82-31-990-7772

Add: No.23 Wanghai Road, 2nd Software Park, Xiamen, China
Tel: +86-592-5922772

